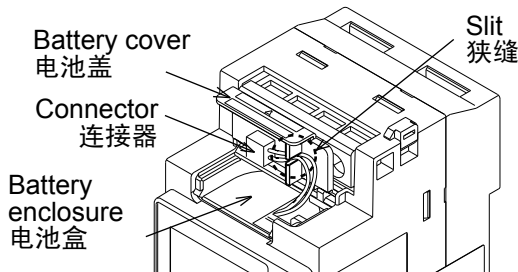


Install the battery before use.

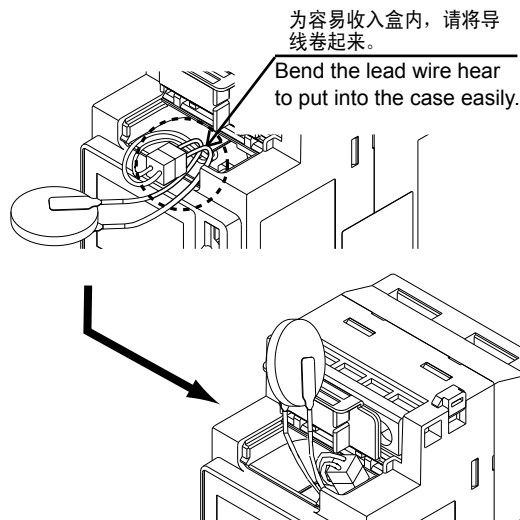
1. Do not put the connector into the case when installing the battery.
2. **Be careful of the short circuit of battery contacts(metal part).**
If it short circuit, it does not backup data correctly.

● How to Install Battery 电池安装方法

- 1) Open the battery cover.
Remove the connector from the slit on the rear.
- 1) 打开电池盖。
电池盖后面有连接器，顺着每根导线将连接器从后面的狭缝中取出。



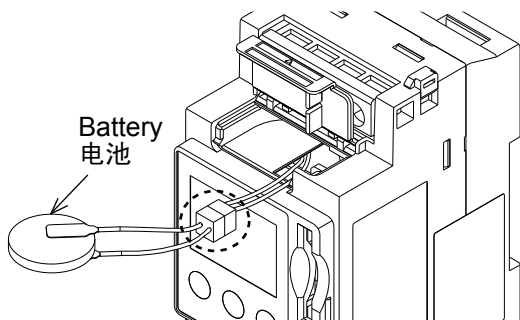
- 3) Put the connector and lead wire into the case.
- 3) 将连接器和导线收入盒内。



使用前请安装同包装附带的电池。

1. 电池安装时，请注意切勿将连接器置于本体内部。
2. **请注意切勿使电池端子(金属部位)发生短路。**
如果发生短路会造成不能正确备份数据。

- 2) Connect battery to the connector.
- 2) 将电池连接到刚卸下的连接器上。



- 4) Put the battery in and close the cover.
- 4) 装入电池，注意电池端子部要朝向电池盒，关闭盖子。

