

Panasonic

**INSTRUCTION
MANUAL**

**Retroreflective Type Fiber Head
FR-KZ22E**

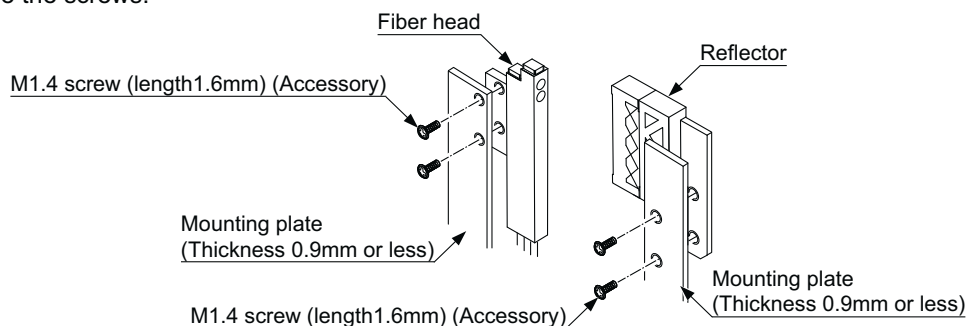
MJEC-FRKZ22E No.0027-80V

Thank you very much for purchasing Panasonic products. Please read this Instruction Manual carefully and thoroughly for the correct and optimum use of this product. Kindly keep this manual in a convenient place for quick reference.

- For the connecting method of the fiber attachment, refer to the Instruction Manual attached to the fiber attachment.
- Also read "Instruction Manual of General-purpose Fiber Head" carefully and thoroughly for the correct and optimum use.

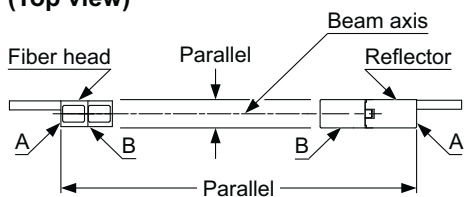
1 MOUNTING

- For mounting the fiber head and the reflector, use the accessory M1.4 screws (length 1.6mm), and be sure to mount through the mounting plate (thickness 0.9mm or less) as shown in the right figure. The tightening torque should be 0.14N·m or less. Take care that tightening with excessive force may damage the screws.

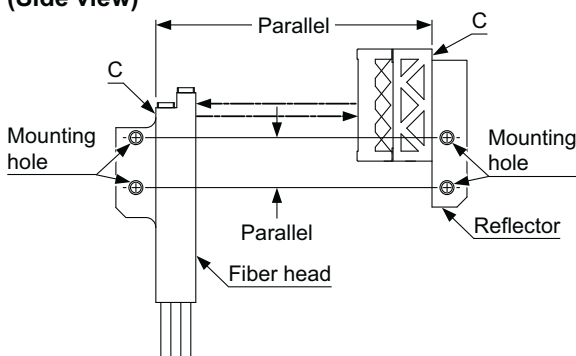


- When the fiber head is mounted in locations where shock / vibration is applied, tighten the screws with the screw lock etc.
- Take care that, since the aperture angle of this product is very narrow, the beam may not be received depending upon the setting.
- When installing the product, take sufficient care that, the mounting holes of the fiber head and the reflector should be parallel to each other, and also A, B and C, shown in the figure below, should be parallel to each other respectively so that the beam axis is not misaligned or tilted.

(Top view)



(Side view)



Panasonic Industrial Devices SUNX Co., Ltd.

<http://panasonic.net/id/pidsx/global>

Overseas Sales Division (Head Office)

2431-1 Ushiyama-cho, Kasugai-shi, Aichi, 486-0901, Japan

Phone: +81-568-33-7861 FAX: +81-568-33-8591

About our sale network, please visit our website.

PRINTED IN JAPAN

© Panasonic Industrial Devices SUNX Co., Ltd. 2012